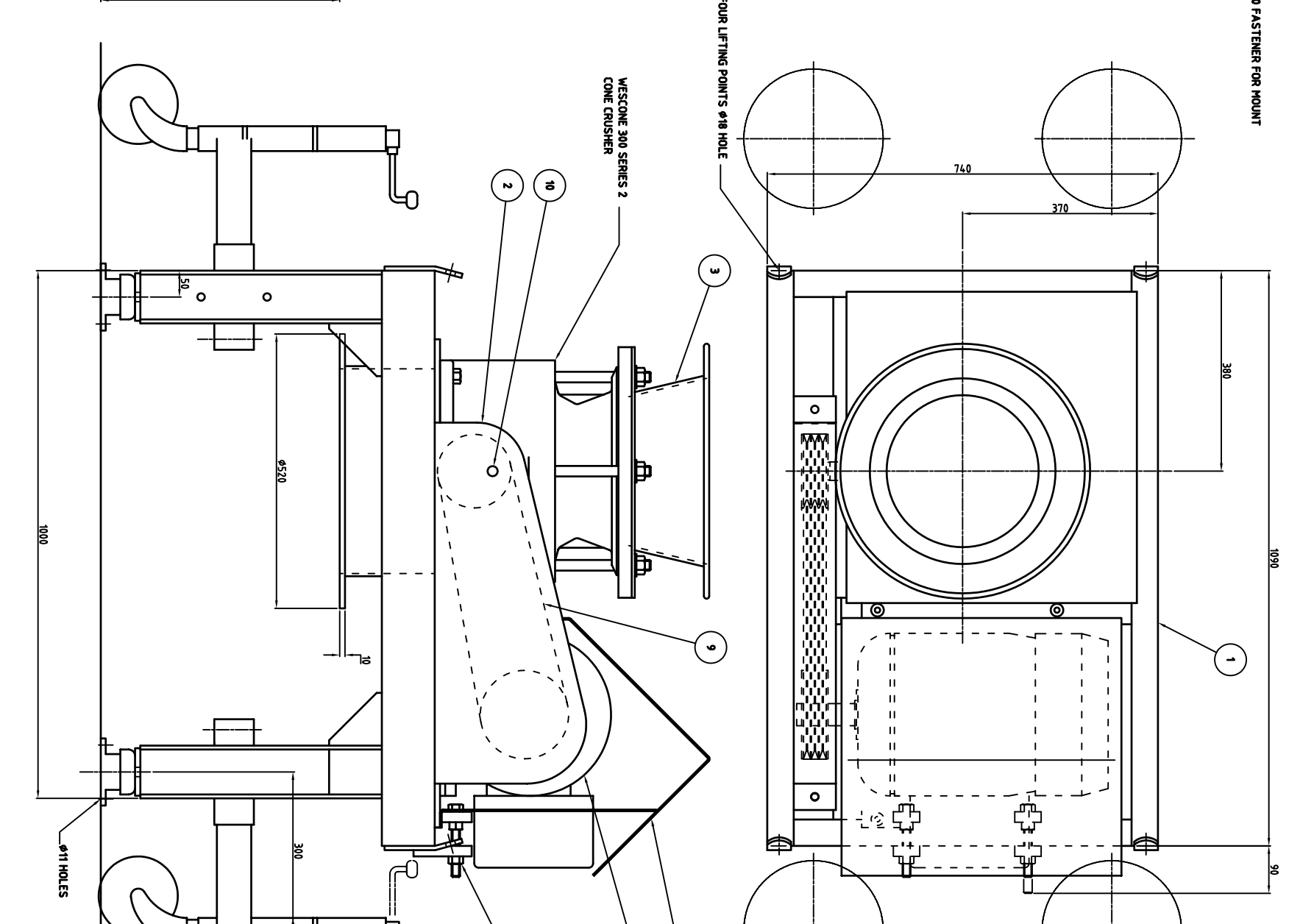
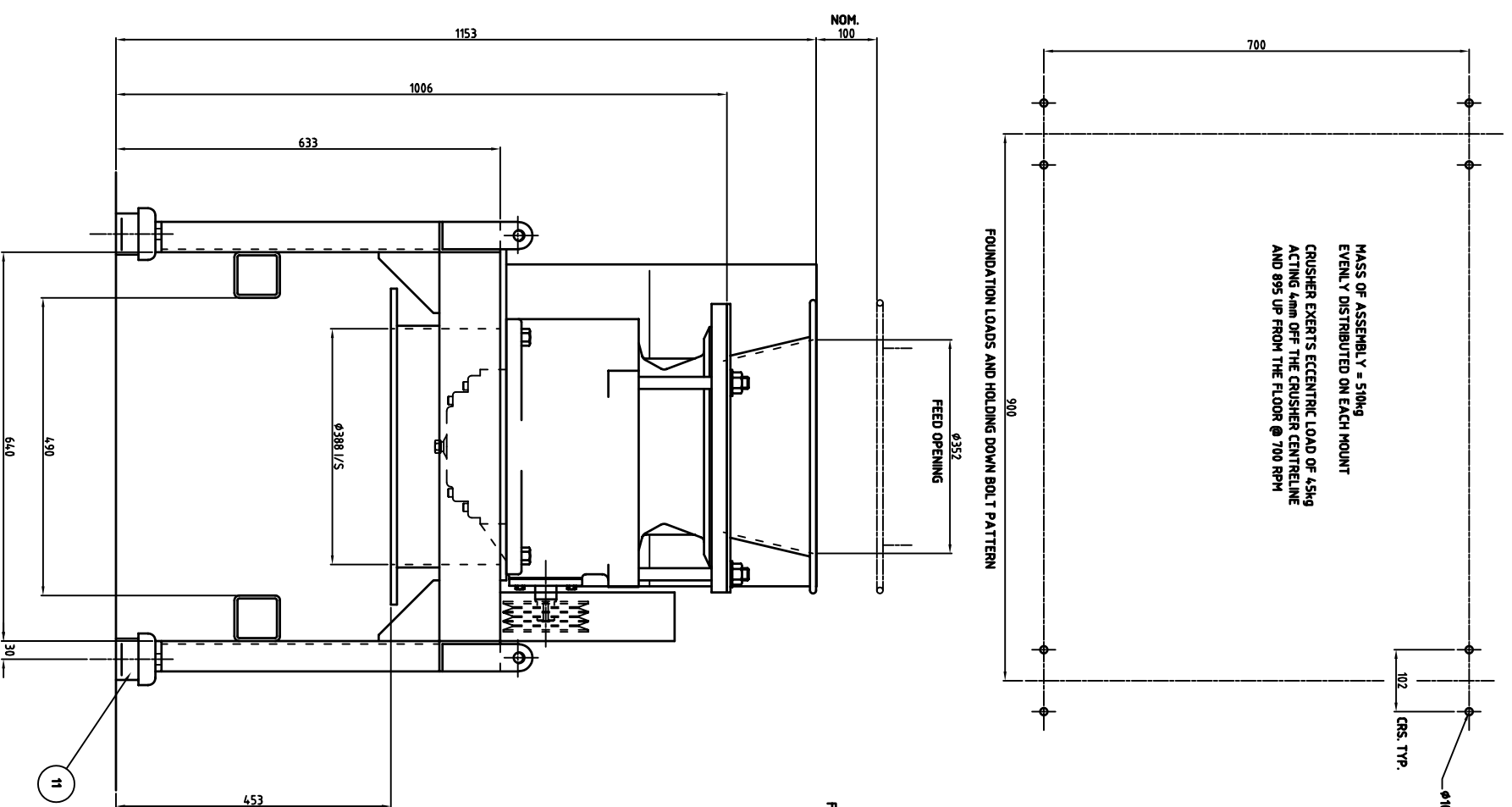


MASS OF ASSEMBLY = 510kg  
 EVENLY DISTRIBUTED ON EACH MOUNT  
 CRUSHER EXERTS ECCENTRIC LOAD OF 45kg  
 ACTING 4mm OFF THE CRUSHER CENTRELINE  
 AND 895 UP FROM THE FLOOR @ 700 RPM

FOUNDATION LOADS AND HOLDING DOWN BOLT PATTERN



ITEM	QTY	DESCRIPTION	REMARKS
1	1	CRUSHER MOUNTING FRAME	03050661
2	1	DRIVE BELT GUARD	03020292
3	1	FEED CHUTE	03050112
4	1	SHEDDER PLATE	03050301
5	4	JOCKEY WHEEL	03050102
6	1	ELECTRIC MOTOR	TOSHIBA 11 kW 4 POLE
7	1	MOTOR PULLEY	160 P.C.D. 3 SPA
8	1	TAPER LOCK BUSH	25T 4x2 BORE
9	3	V-BELT	SPA 14.00
10	1	UNDERSPEED SWITCH	IFM IF3379
11	4	ANTI-VIBRATION MOUNT	SILENTBLOC FXBP

STEELWORK IS TO BE PAINTED TO BHP/BO SPEC 000-S-0061/8 SYSTEM R/L  
 COLOUR TO BE BLUE GREY N53 OR RIVERGUM 662

SHEET SIZE <b>A1</b>		ISSUED FOR MANUFACTURE		T.R.F.	T.R.F.	DESIGNED	NAME	DATE
1		DIMENSIONS AND NOTES ADDED		T.R.F.	T.R.F.	DRAWN	J.A.B.	06/95
C		HOLDING DOWN BOLT PLAN ADDED		T.R.F.	T.R.F.	CHECKED		01/07/02
A		ISSUED FOR INFORMATION AND APPROVAL		T.R.F.	T.R.F.	APPROVED		
REV	DATE	REVISION		BY	CHK	APPROVED		

 17 Sorenauka Street, Bentley Western Australia 6102 Telephone (08)9350 4881 Facsimile (08)9350 4878		 <b>WESCORNE 300 SERIES 2</b> <b>BHP BILLITON SAMPLE STATION</b> <b>CRUSHER AND MOUNTING FRAME ARRANGEMENT</b>		CLIENT DRG. No
--	--	---	--	-------------------

SCALE	1:5
DRAWING No.	03050671